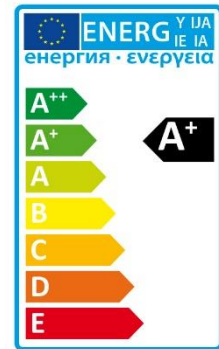


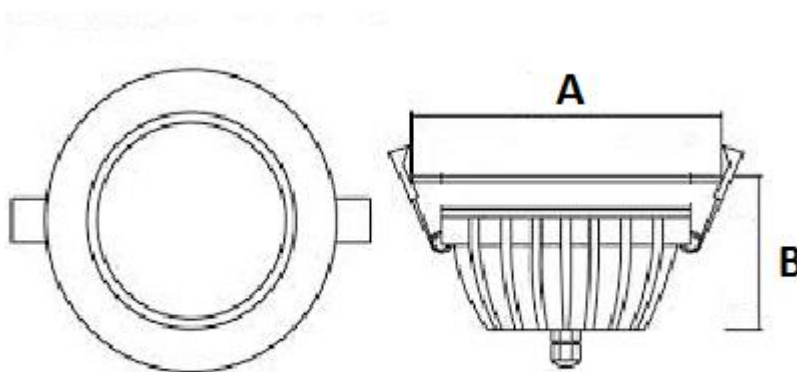


Features and Advantages

- Built-in reflector, good uniformity of luminance
- Frosted glass : anti-dust ,anti-fog ,anti-glare
- 90 degree beam angle
- Same cut out size as halogen downlight
- External driver
- Safe version isolating driver
- Stable performance ,high quality IC in the driver
- Long life span
- CE, ROHS, SAA approved



DIMENSIONS



ITEM	A	B
LED DOWNLIGHT 7W	100mm	48mm
LED DOWNLIGHT 12W	120mm	48mm
LED DOWNLIGHT 24W	195mm	48mm

SPECIFICATIONS

Physical Specifications

Size (mm)	Φ100mm	Φ120mm	Φ195mm
Materials	AL Frame + PMMA diffuser + Aluminium		
IP Class	IP20		
Installation	Recessed		
Net Weight	200g	250g	350g
Work Environment	Indoor		

Electrical Specifications

Input Voltage	85V-265V AC		
Frequency Range	50/60Hz		
Power Factor	>0.9		
Power	7W	12W	24W
Certification	CE, RoHS		
Protection Function	Over-current protection, Surge Protection		
Operation Temperature	-25°C ~ 50°C		
Lifespan	35.000 hours		

Optical Specifications

Luminous Efficiency (lm/w)	>80		
Color Temperature (CCT)	3000K/4000K/6000K		
Lumen Flux	630 LM	1080 LM	2160 LM
Color Rendering Index	≥80		
Beam Angle	90°		

PHOTOMETRIC DATA

