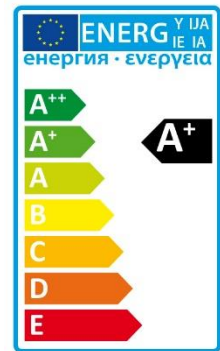


3W, 5W, 7W

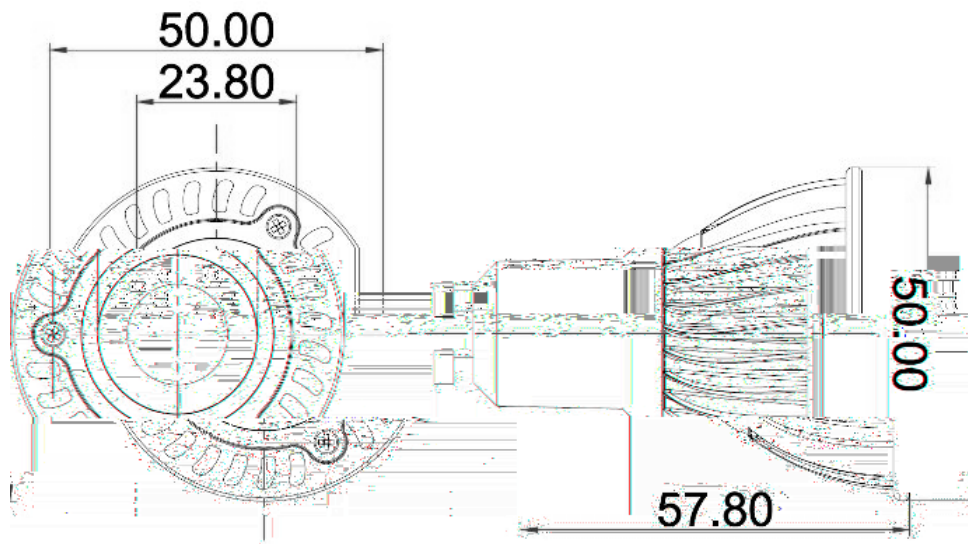
Features and Advantages



- Small and minimalistic design
- Excellent heat sink
- Epistar COB LED technology
- White Anodised Aluminium with plastic lens
- Soft and uniform lighting for comfortable viewing environment
- Life span of 30,000h with low light decay
- High stability and reliability
- 2-year Warranty



DIMENSIONS



Model	Diameter	Emission	Height
LED SPOT GU10	50mm	23,8mm	57,8mm

3W, 5W, 7W

SPECIFICATIONS

Physical Specifications

Size (mm)	57,8*50		
Materials	CERAMIC + PC		
IP Class	IP20		
Socket	GU10		
LED chip	LED COB EPISTAR		
Work Environment	Indoor		

Electrical Specifications

Input Voltage	12V DC		
Frequency Range	50/60Hz		
Lamp Power	3W	5W	7W
Power Factor	>0.9		
Certification	CE, RoHS		
LED light source	1 COB		
Operation Temperature	-25°C ~ 50°C		
Lifespan	30.000 hours		

Optical Specifications

Color Temperature (CCT)	3000K/4000K/6000K		
Lumen Flux	240 lm	400 lm	560 lm
Color Rendering Index (Ra)	≥80		
Dimming	Yes		
Beam Angle	36° - 38°		

PHOTOMETRIC DATA

