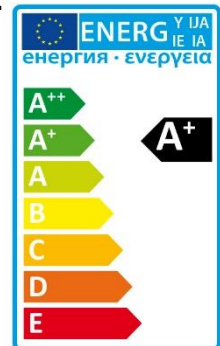


10W, 20W, 30W, 50W

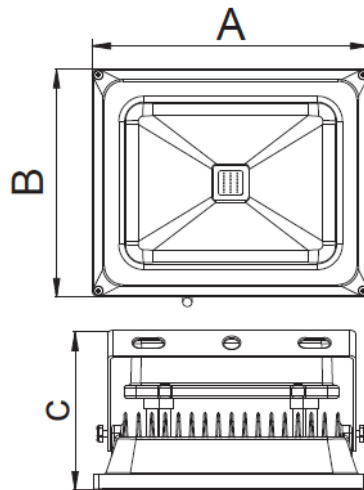
Features and Advantages



- 1. CE and RoHS approved.
- 2. Die-casting aluminum casing and high intensity toughened glass cover
- 3. High efficiency and power factor LED driver
- 4. Wide radiation angle, huge lighting area
- 5. Start without delay and flicker free
- 6. Good color rendering
- 7. Warm and cold color temperature are available
- 8. High shock & vibration resistant
- 9. Ideal heat dissipation design.



DIMENSIONS



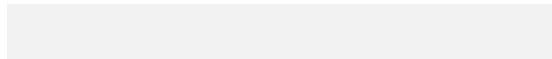
ITEM	A	B	C
LED FLOOD LIGHT	130mm	110mm	82mm
LED FLOOD LIGHT	180mm	157mm	100mm
LED FLOOD LIGHT	225mm	197mm	122mm
LED FLOOD LIGHT	235mm	228mm	132mm

SPECIFICATIONS

Physical Specifications

Size (mm)	130*110	180*157	225*197	235*228
Materials	Aluminium + Glass			
IP Class	IP65			
Installation	Surface Mounted			
Net Weight	450g	1050g	2000g	2500g
Work Environment	Indoor/Outdoor			

Electrical Specifications



10W, 20W, 30W, 50W

PHOTOMETRIC DATA

