

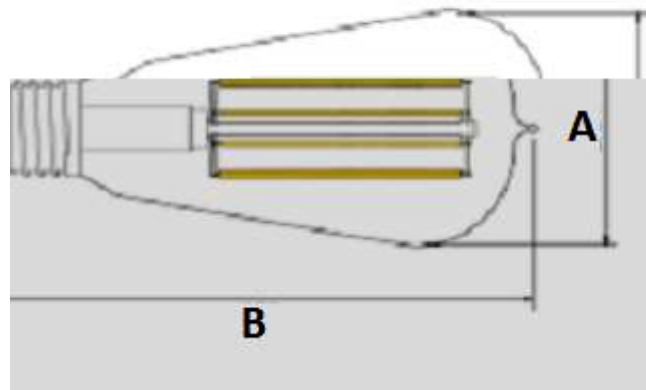


Features and Advantages

- Small and minimalistic design
- Excellent heat sink
- High efficiency SMD LEDs
- White body, frosted or clear cover
- Soft and uniform lighting for comfortable viewing environment
- Life span of 30,000h with low light decay
- High stability and reliability
- 3-year Warranty



DIMENSIONS



ITEM	A	B
LED BULB E27	64mm	142mm

6W

SPECIFICATIONS

Physical Specifications

Size (mm)	142*64
Material	GLASS
IP Class	IP 20
Socket	E27
LED chip	SMD 2835
Work Environment	INDOOR / OUTDOOR

Electrical Specifications

Input Voltage	120V/230V AC
Frequency Range	50/60Hz
Lamp Power	6W
Power Factor	>0.8
Certification	CE, RoHS
LED light source	SMD
Operation Temperature	-25°C ~ 50°C
Lifespan	30.000 hours

Optical Specifications

Color Temperature (CCT)	2700K
Lumen Flux	590 lm
Dimmable	YES
Color Rendering Index (Ra)	≥80
Beam Angle	360°

PHOTOMETRIC DATA

